


# Winnox Burners

## Model WX200 version 1.00

### Main Specifications

PARAMETER		SPECIFICATIONS	
Blower Type		Packaged blower	Remote blower
Maximum input, BTU/hr (kW)   <b>Note:</b> <i>Capacities given without air filter.            Contact factory for chamber pressures            outside the given range, or varying            chamber pressure conditions.</i>	Chamber pressure "WC (mbar)	Nominal (60 Hz)	Pressure at air inlet 1 psig (70 mbar)
	-5.0 (-12.5)	2,275,000 (667)	2,610,000 (765)
	-3.0 (-7.5)	2,170,000 (634)	2,525,000 (740)
	<b>0.0</b>	<b>2,000,000 (586)</b>	<b>2,400,000 (703)</b>
	1.0 (2.5)	1,940,000 (568)	2,355,000 (690)
	2.0 (5.0)	1,880,000 (551)	2,310,000 (677)
Minimum input, BTU/hr (kW)		150,000 (39)	
Fuel inlet pressure at ratio regulator, "w.c. (mbar) <sup>1)</sup>	Maximum	27.7 (70)	27.7 (70)
	Minimum	23.0 (58)	27.7 (70)
Maximum chamber temperature, °F (°C)		Standard combustion tube: 1000 (540) High temp. combustion tube: 1600 (875)	
Flame Length	Alloy Tube	Flame is inside tube at all inputs	
Excess Air, % at high fire		40%	
Piping		N.P.T. or B.S.P. burner piping available	
Flame detection		Flame Rod or U.V. Scanner	
Fuels		Natural gas <sup>2)</sup> <i>For any other mixed gas, contact Eclipse Combustion</i>	
Blower Motor Power, hp		3.0	
Weight, lbs (kg)	Alloy Tube	215 (97)	133 (60)

1) For proper performance, this pressure must be kept constant across the burner operating range.

2) See Design Guide for more information about typical fuel composition and properties.

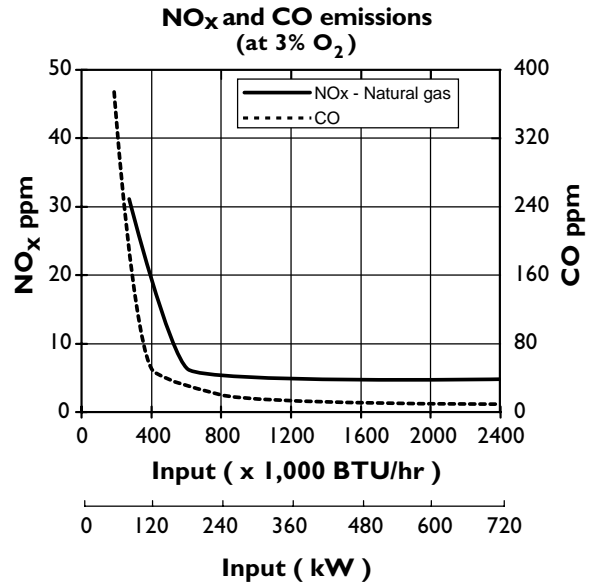
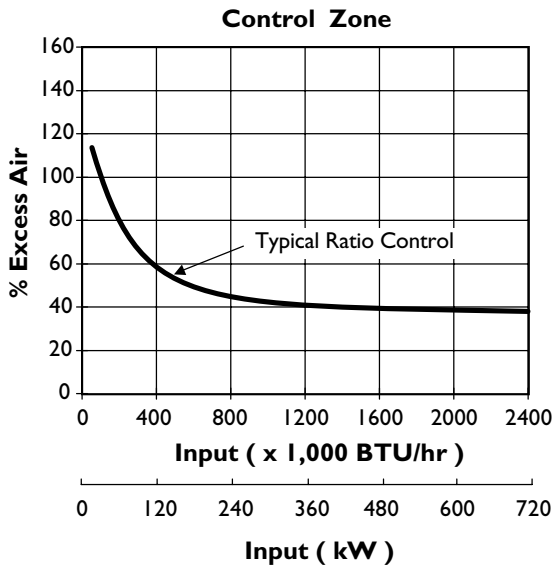
- All information is based on laboratory testing. Different chamber size and conditions will affect data.
- Maximum inputs for packaged blower versions are given for the standard combustion air blower without an inlet air filter.
- All inputs are based on gross calorific values and standard conditions: one atmosphere, 70° F (21° C)
- Eclipse reserves the right to change the construction and/or configuration of our products at any time without being obliged to adjust earlier supplies accordingly.



Eclipse Combustion

ISO 9001 Registered

## Performance Graphs WX200 v1.00



Input at low fire changes with ratio regulator adjustment.

**Secondary by-pass fuel setting:**

FUEL	ΔP "w.c. (mbar)*
Nat. Gas	4.0 (10.0)

\* Measured between Tap "E" and the chamber @ low fire.

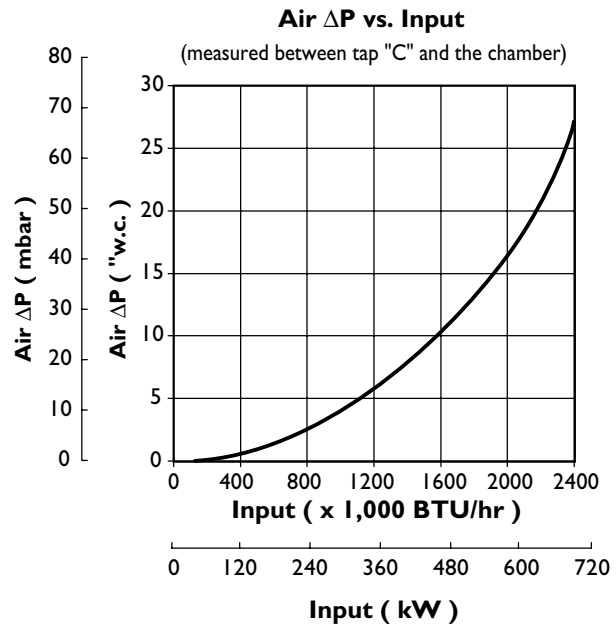
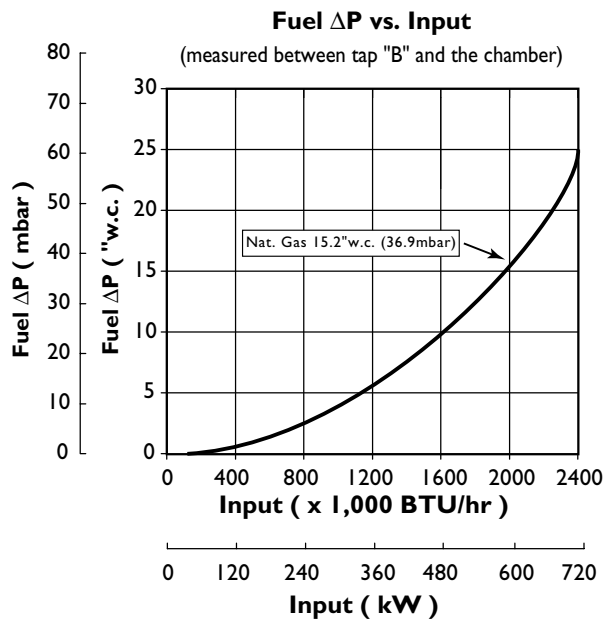
NO<sub>x</sub> and CO emission data is given for:

- Ambient combustion air (~70 °F, 20 °C)
- Less than 1000 °F (540 °C) firing chamber
- Minimal process air velocity
- Low fire input adjusted to 350,000 BTU/hr (103kW)
- Neutral chamber pressure

Emissions are influenced by:

- Chamber conditions
- Fuel type
- Firing rate
- Ratio regulator adjustments
- Combustion air temperature

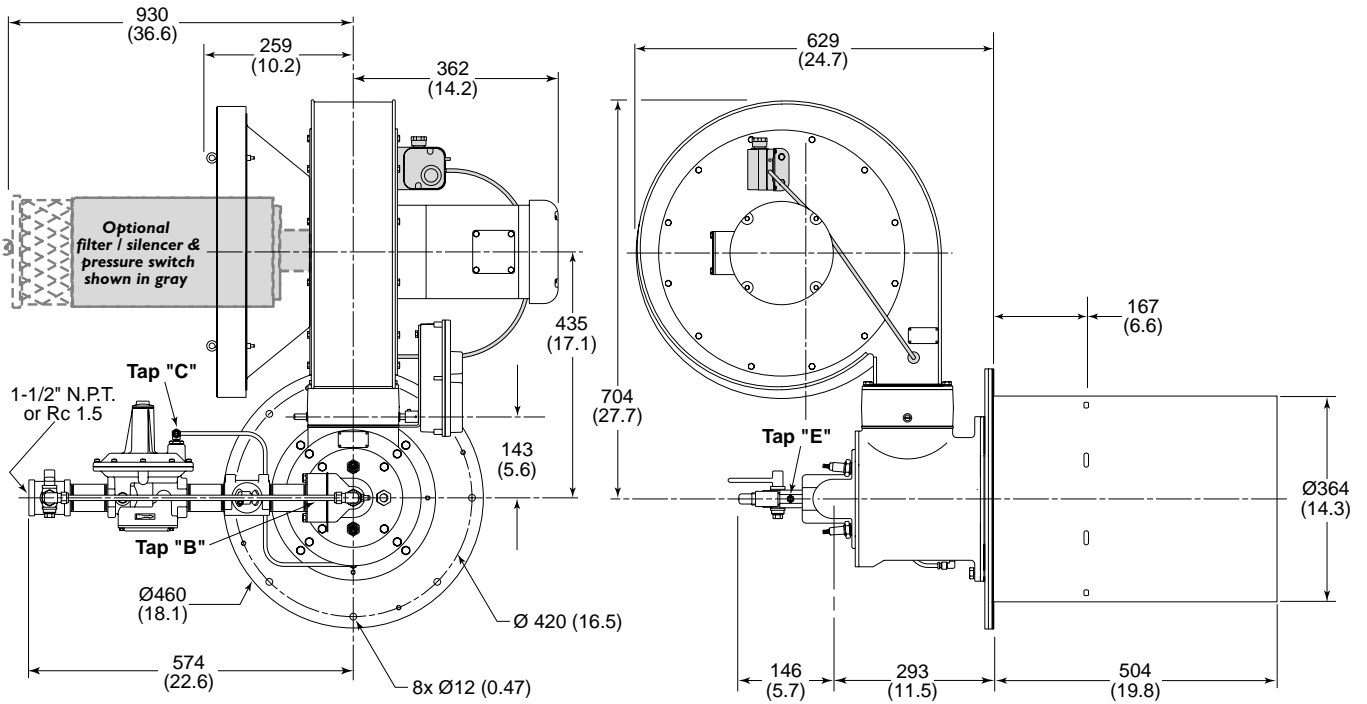
CO emission is largely influenced by chamber conditions. Contact your local Eclipse Combustion representative for an estimate of CO emission on your application.



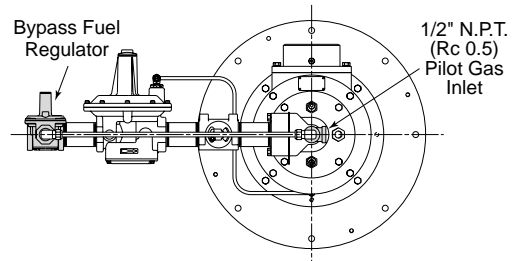
**Dimensions**  
WX200 v1.00

**Dimensions in mm (in)**

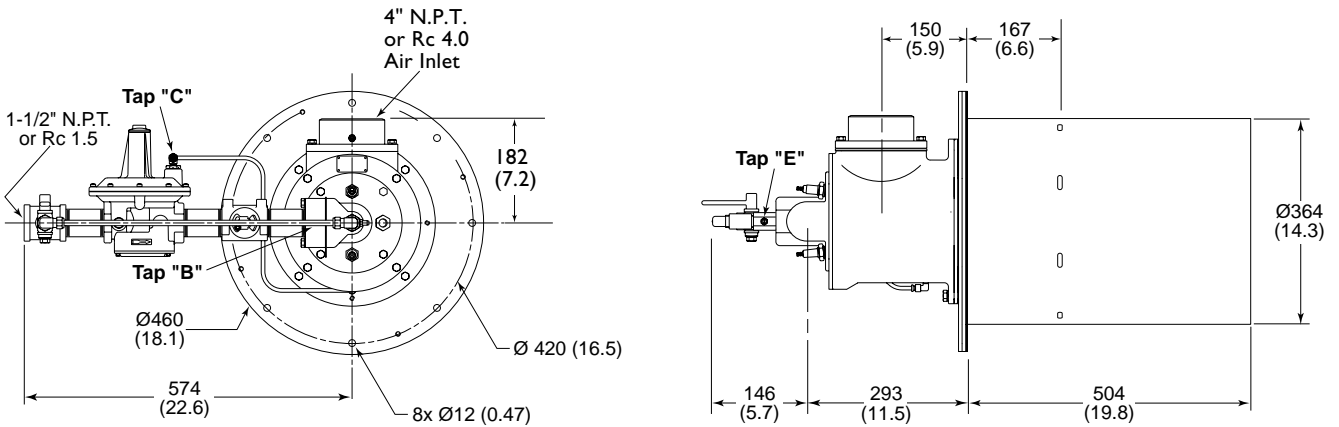
**Packager Blower**



**Configured for Pilot**



**Remote Blower**





***Eclipse Combustion***

**Offered By:**

Power Equipment Company  
2011 Williamsburg Road  
Richmond, VA 23231  
Phone: 804-236-3800 Fax: 804-236-3882

---

[www.peconet.com](http://www.peconet.com)